

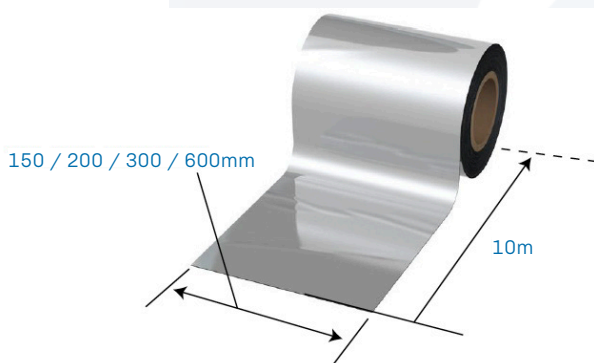
StrataShield Flashing Tape

Self-adhesive waterproofing tape

Product overview

StrataShield Flashing Tape is a self adhesive waterproofing tape manufactured from high quality elastomeric modified bitumen and laminated with aluminium foil.

StrataShield Flashing Tape can be applied internally or externally and is ideal for use in a variety of areas including roofs, skylights, chimneys, walls, porches and conservatories. It is compatible with most common building materials and can also be used for a range of emergency roof repairs.



Technical characteristics

Properties	Unit / Description
Length	10m
Width	150 / 200 / 300 / 600mm
Thickness	1.5mm
Top surface	Coloured aluminium foil
Bottom surface	Siliconised film
Substrate compatibility	Wood, metal, glass, plaster, concrete and bitumen surfaces.
External fire performance	Broof
Adhesion strength	>100N
Flexibility at low temperature	-20°C
Resistance to impact / static loading	>900mm / >20kg
Storage	Keep at temperatures between 5°C in a dry, ventilated, closed area. Rolls must be protected from water, frost and heavy weather conditions.
Use before	12 months after date of manufacture

Preparation

All surfaces must be smooth, dry, clean and free of oil, grease, rust and other foreign materials. Deep cracks or fissures (+3mm) and very rough surfaces should be filled with bitumen repair mastic.

Application of a suitable bitumen primer is recommended in order to improve adhesion on porous substrates and in cold or damp weather conditions. In addition, adhesion will be greatly improved in low temperature conditions (below 10°C) by gently warming the tape and surface with a warm air blower.

Do not apply in temperatures below 5°C.

Application guidelines

Cut the StrataShield Flashing Tape to the required length. Remove the backing paper and lightly press into place. Overlap by at least 25mm and use a wallpaper roller or similar to ensure a good, even contact is made with the surface and also to smooth the tape.

If required StrataShield Flashing Tape can be overpainted with exterior grade paints, although slight staining may occur at the edges.

Further information

The information contained in this datasheet, along with any advice provided (either written or verbal) through testing are based on our experience and do not constitute any product guarantee for the installer.

We recommend that all of the information provided is carefully studied before proceeding with application, and strongly advise that suitable tests are carried out onsite before application in order to determine the suitability and compatibility for the specific project.

The application, use and processing of our products are beyond our control, and therefore under the exclusive responsibility of the installer. As a result, the installer will be solely responsible for any damage derived from the partial or complete disregard of our guidance or the general mis-use of any of our materials.